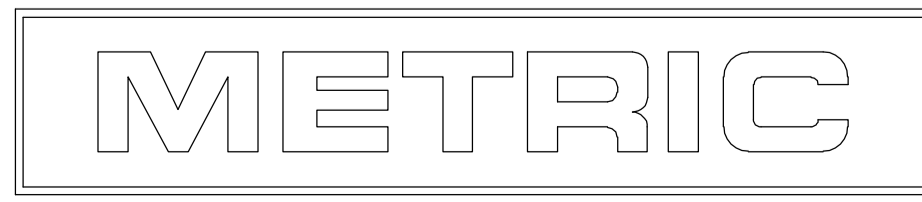
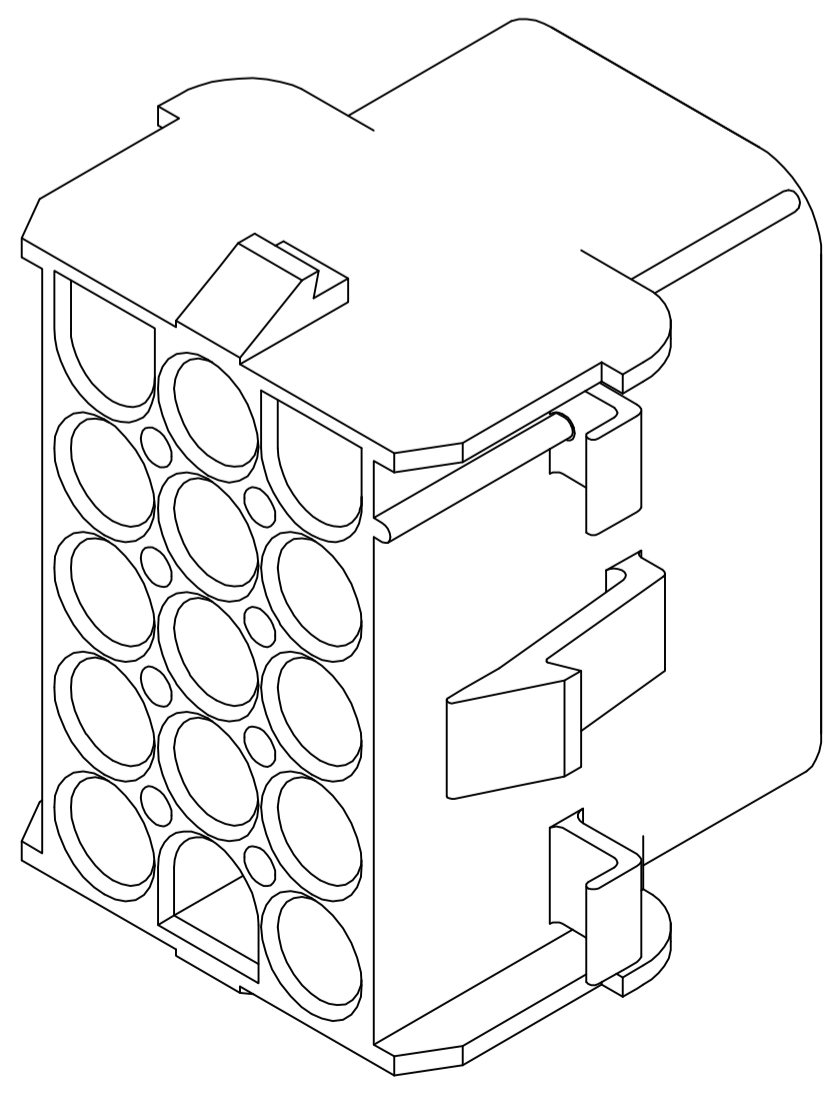
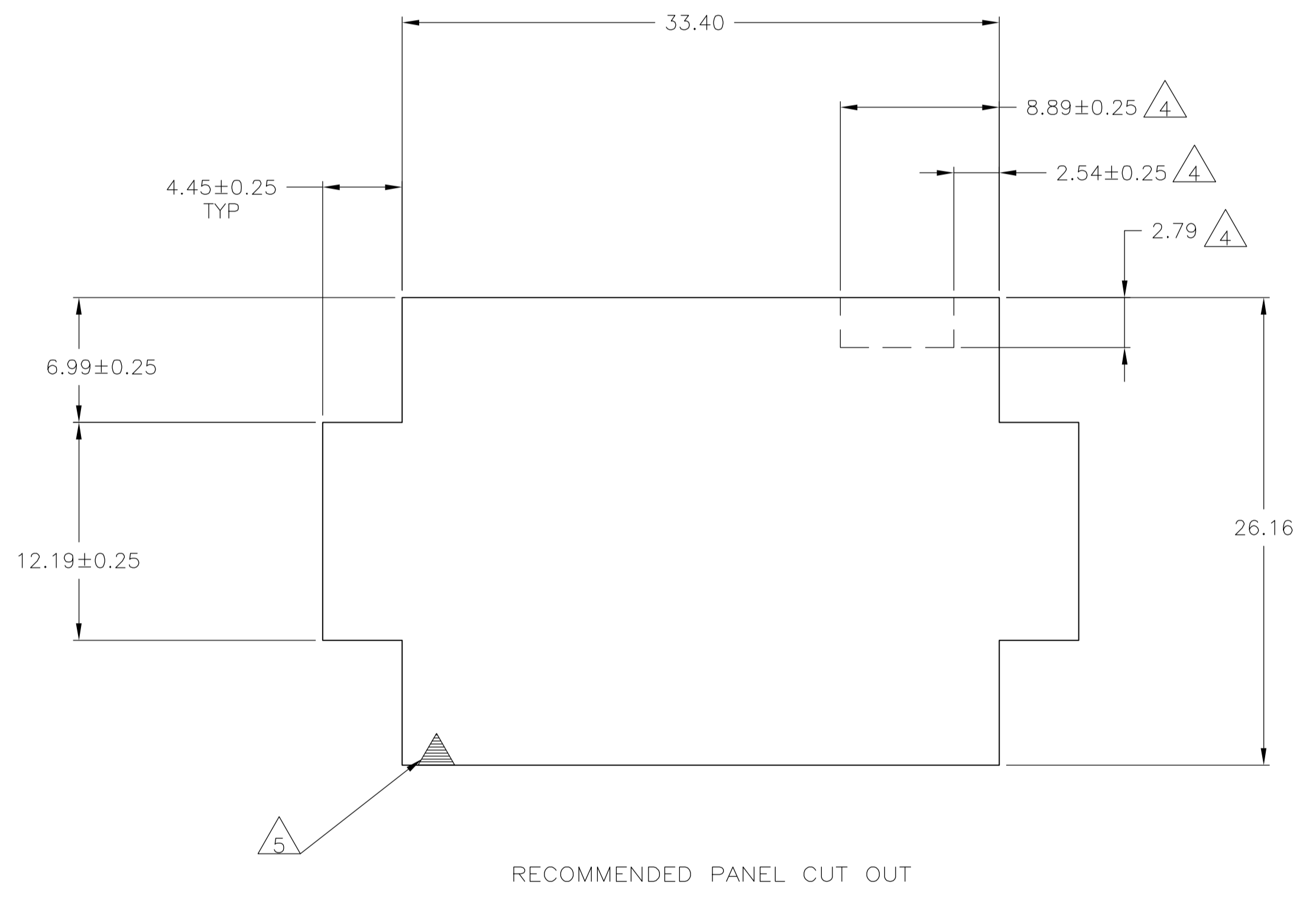
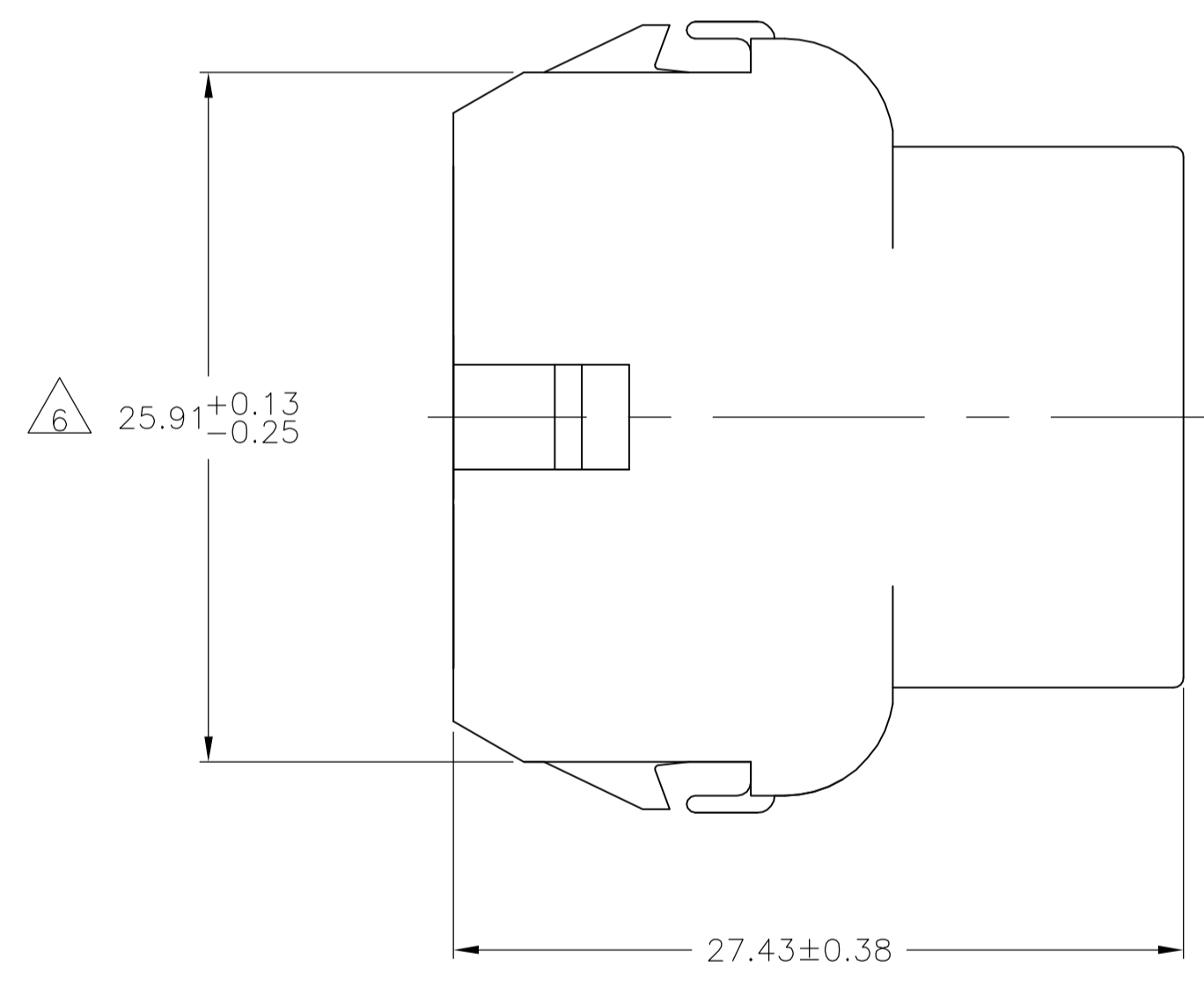
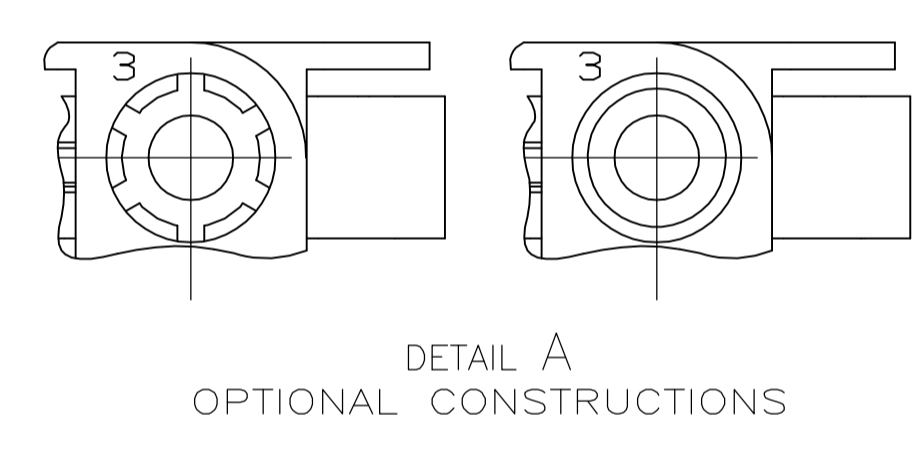


- MATES WITH APPROPRIATE UNIVERSAL MATE-N-LOK™ PLUG.
 - RECOMMENDED PANEL THICKNESS 0.76 - 2.29.
 - PANEL MUST BE PUNCHED SO THAT THE HOUSING ENTERS THE PANEL IN THE SAME DIRECTION AS THE PUNCH.
- △4 OPTIONAL FOR KEYING HOUSING IN PANEL.
 - △5 CIRCUIT NUMBER 1 LOCATION.
 - △6 DIMENSION INDICATED IS AS MOLDED. ADDITIONAL GROWTH DUE TO SUBSEQUENT MOISTURE ABSORPTION MAY OCCUR.
 - △7 FOUR RIBS EQUALLY SPACED, NO SPECIFIC ORIENTATION. NO RIBS OR SIX RIBS EQUALLY SPACED, NO SPECIFIC ORIENTATION, OPTIONAL.
 - △8 UNDERWRITERS RECOGNIZED COMPONENT LOGO AND CSA CERTIFICATION LOGO TO BE LOCATED ONCE EACH ON SIDE OF HOUSING.



6.99	.275	33.40	1.315
4.45	.175	33.02	1.300
2.79	.110	27.43	1.080
2.54	.100	26.16	1.030
2.29	.090	25.91	1.020
0.76	.030	20.32	.800
0.38	.015	12.19	.480
0.25	.010	8.89	.350
0.13	.005	8.13	.320
MM	IN	MM	IN

CONVERSION TABLE

BLACK	1-350784-9
GRAY	1-350784-8
BLUE	1-350784-6
GREEN	1-350784-5
YELLOW	1-350784-4
ORANGE	1-350784-3
RED	1-350784-2
BROWN	1-350784-1
NATURAL	350784-1
COLOR	PART NUMBER

THIS DRAWING IS A CONTROLLED DOCUMENT.

DIMENSIONS:	TOLERANCES UNLESS OTHERWISE SPECIFIED:	DWN	K. WHITAKER	28MAY92		Tyco Electronics Corporation Harrisburg, PA 17105-3608	
mm	0.13 ± - 0.25 ± - 0.38 ± - 0.76 ± - 1.27 ± -	CHK	R. SWING	28MAY92		NAME	CAP, 15 CIRCUIT, UNIVERSAL MATE-N-LOK™
		APVD	D. SELF	28MAY92	PRODUCT SPEC	SIZE	A1
MATERIAL: NYLON, UL 94V-0		APPLICATION SPEC			RESTRICTED TO	-	
FINISH: -		WEIGHT			CUSTOMER DRAWING	SCALE	4:1
					SHEET	1	OF 1
					REV	U1	